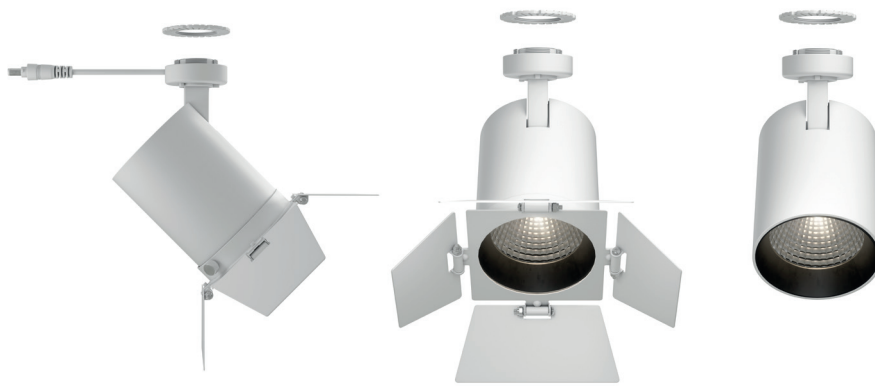


smartLED™ spotlight



Spotlight housing for multifunctional fixing. The patented fixing device on the spotlight can work together most of the ceiling solutions on the market. Easy to use and maintenance in retail environments.

Lightfixture body made of aluminium. Passive cooling of the LED chip for optimum service life and reliability.

MIRO Silver reflector that creates a well balanced light pattern with very high efficiency.

Available in a variation of LED spectrum colours upon request.

3,0 meter lowvoltage cable from downlight to driver included. Extension cables

7-years warranty.

Material
Design LED life
CRI
Lumen
Energy
Initial MacAdam
Nominal Voltage
Form protection
Weight
Colors
Dimensions [mm]

Die-cast aluminium
 L90 50 000 h (T_a 25°)
 90
 2950 lm
 23 W
 2 SDCM
 230/240 V, 50/60 Hz
 IP 20. Class III. CE-approved
 0,76 kg
 White, Grey, Black
 ø 148 x H 140 mm

3-channel power supply

3 pcs of downlights can be connected to one LED-driver. Low voltage extension cable available for maximum range in ceiling installations.



Item No.	Description	Painting colour	Power	Lumen	Reflector	LED Colour	Amount/ Fuse 16 A C-type	Amount/ Fuse 16 A B-type
222 39(aa) 20 0(b)	smartLED, Medium 20°, 3000 K B BBL W. Downlight Box DBS-10(b)	b =1 White b =2 Grey b =3 Black	23 W	2950 lm	20° (Medium)	aa = 930 (3000 K B BBL) aa = 935 (3500 K B BBL) aa = 940 (4000 K)	45	27
222 39(aa) 38 0(b)	smartLED, Flood 38°, 3000 K B BBL W. Downlight Box DBS-10(b)	b =1 White b =2 Grey b =3 Black	23 W	2950 lm	38° (Flood)	aa = 930 (3000 K B BBL) aa = 935 (3500 K B BBL) aa = 940 (4000 K)	45	27
222	smartLED Driver 3x600 mA ON/OFF	White					15	9
222e	eSAVE Driver 3x600 mA	White					17	10
031-020-02	2,0 m (2x0,72 mm2) 2 pin EU plug + IEC C7, WHITE	White						
031-010-C8C7-2M	Power Cable 2,0 m (2x0,72 mm2) C8 + C7, White	White						
A-3022	2,0 M extension cable for smartLED spotlights. Male/female connectors.	White						

Caleidoscope